



INSTALLATION INSTRUCTIONS

Accessory
DECK LID SPOILER

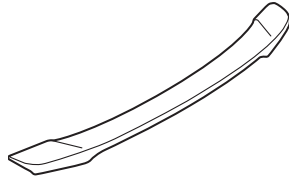
Application
2013 ILX

Publications No.
BII 13537
Issue Date
JUNE 2012

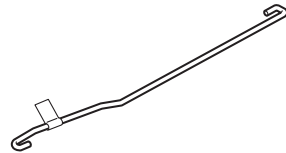
Supersedes BII 13537, May 2012, to update the information marked by the black bars.

PARTS LIST

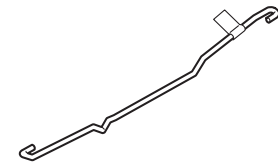
Trunk spoiler



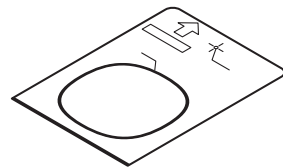
Left trunk spring (marked yellow)



Right trunk spring (marked red)



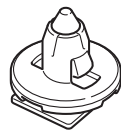
Template A



Template B



2 Clips



2 Seals A (2.5 mm)



Seal B



Nut



TOOLS AND SUPPLIES REQUIRED

Phillips screwdriver

Flat-tip screwdriver

Drill

Eye protection (face shield, safety goggles, etc.)

Center punch

File

Touch-up paint

Felt-tip pen

Isopropyl alcohol

Shop towel

Ruler

Tape

Trunk Spring Tool (P/N 07AAZ-S0KA100)

Masking tape

Heavy gloves

High-quality paste wax

Torque wrench

10 mm Socket

The following tools are available through the Honda Tool and Equipment Program. On the iN, click on: Service > Service Bay > Tool and Equipment Program, then enter the number under "Search". Or, call 888-424-6857.

Trim Tool Set (T/N SOJATP2014)

Rubber Roller (T/N MHLE54D)

Rotabroach Hole Cutting Kit (T/N BLR11201SO)

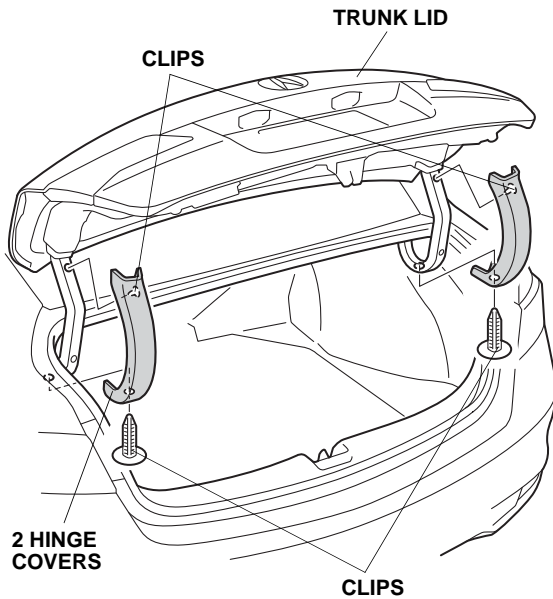
INSTALLATION

Client Information: The information in this installation instruction is intended for use only by skilled technicians who have the proper tools, equipment, and training to correctly and safely add equipment to your vehicle. These procedures should not be attempted by “do-it-yourselfers.”

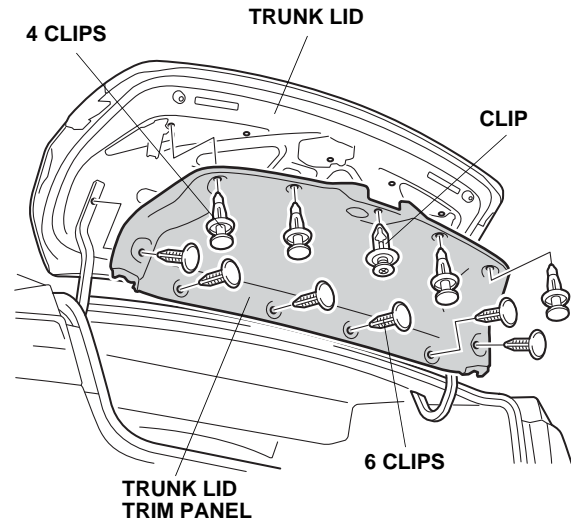
NOTE:

- Be careful not to damage the paint finish.
- This deck lid spoiler kit should be installed only if the ambient air temperature is 15°C (60°F) or above.
- Clean and wax the areas to be covered with a high-quality paste wax.
- To allow the adhesive to cure, do not wash the vehicle for 24 hours. Please advise the client.

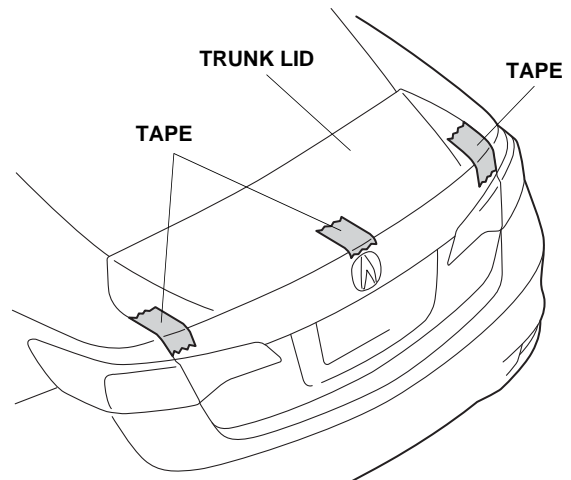
1. Open the trunk lid. Remove each trunk lid hinge cover (four clips).



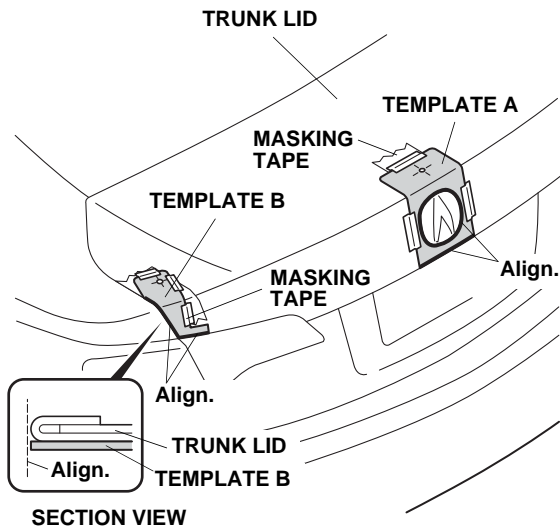
2. Remove the trunk lid trim panel (11 clips).



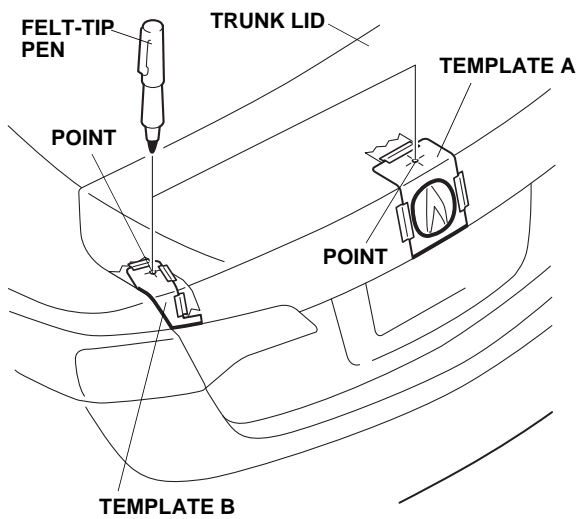
3. Close the trunk lid. Attach masking tape to the trunk lid as shown.



- Align template A and template B to the trunk lid as shown, and attach them with masking tape.

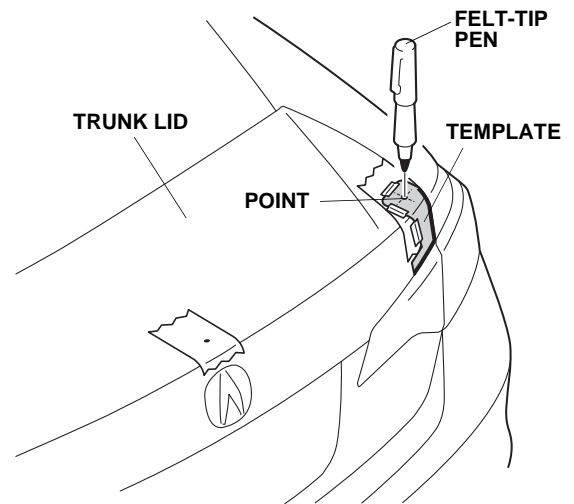


- Using a felt-tip pen, mark two points through templates A and B as shown.

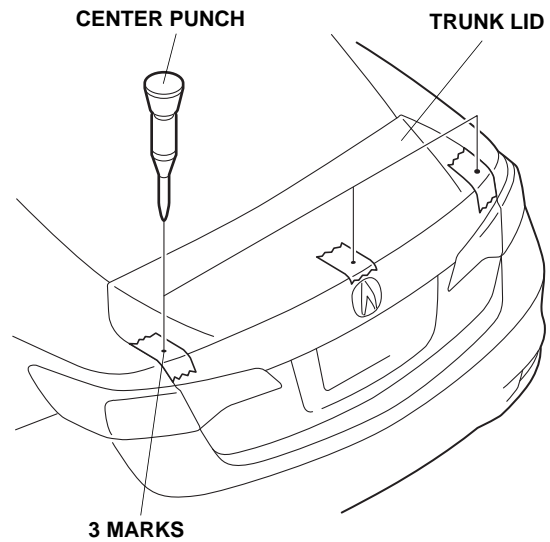


- Remove templates A and B.
- Turn template B over, and repeat step 4 to install it on the right side of the trunk lid.

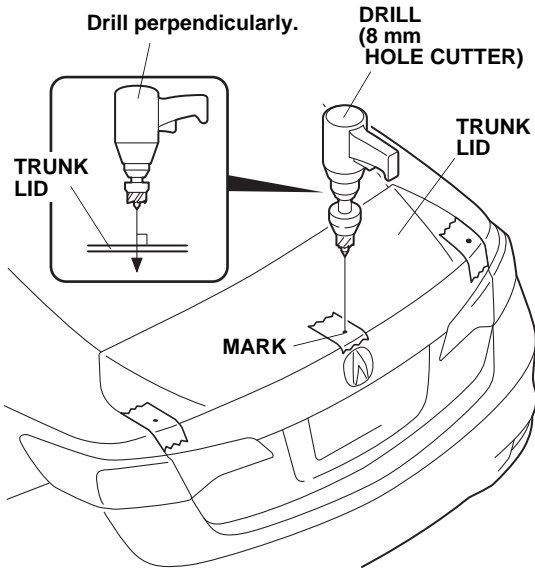
- Using a felt-tip pen, mark one point through template B as shown.



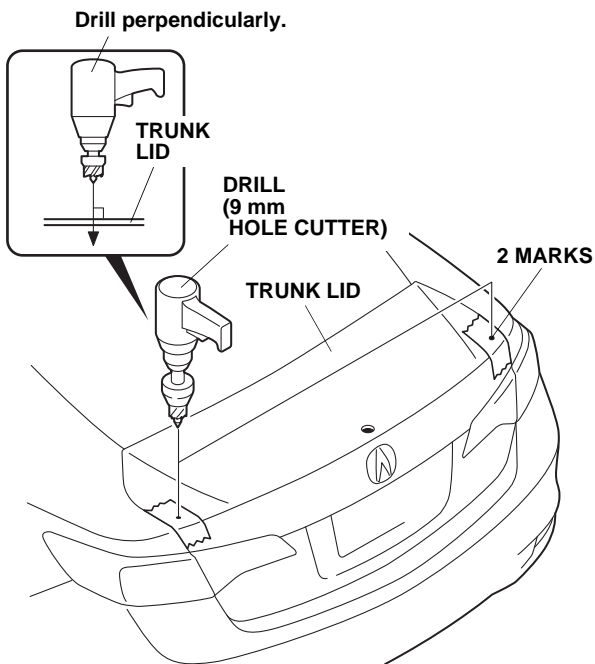
- Remove template B.
- Using a center punch, punch the centers of the three marks. Set the center punch to the minimum power setting.



11. While wearing eye protection, drill an 8 mm hole at the mark in the center of the trunk lid with an 8 mm hole cutter. Drill perpendicular to the trunk lid.

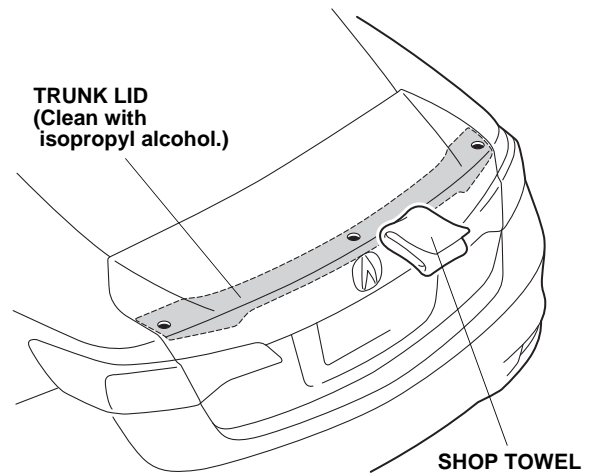


12. While wearing eye protection, drill two 9 mm holes at the marks near the outside edges of the trunk lid with a 9 mm hole cutter. Drill perpendicular to the trunk lid.

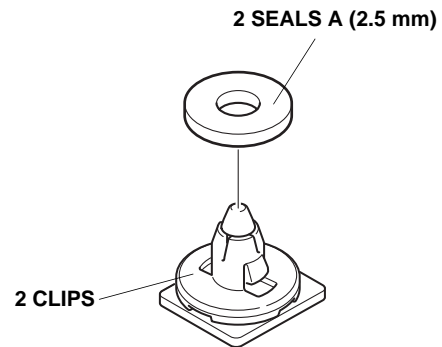


13. Remove the tape installed in step 3. Remove all burrs and metal shavings with a file, and apply touch-up paint to the edges of the holes.

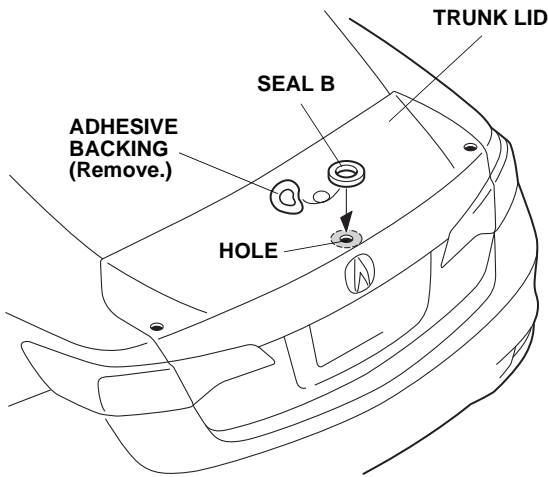
14. Using isopropyl alcohol on a shop towel, thoroughly clean the area where the trunk spoiler will attach.



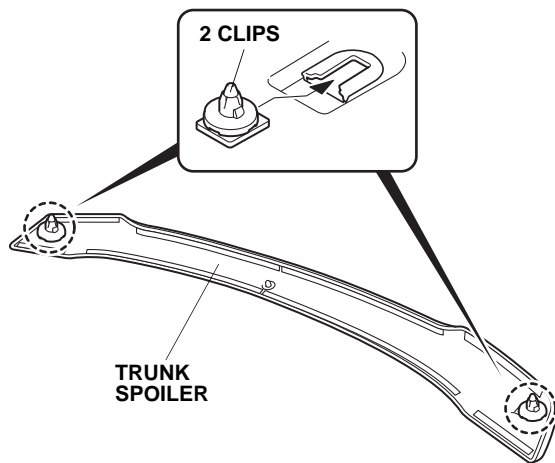
15. Install two seals A (2.5 mm) onto the two clips.



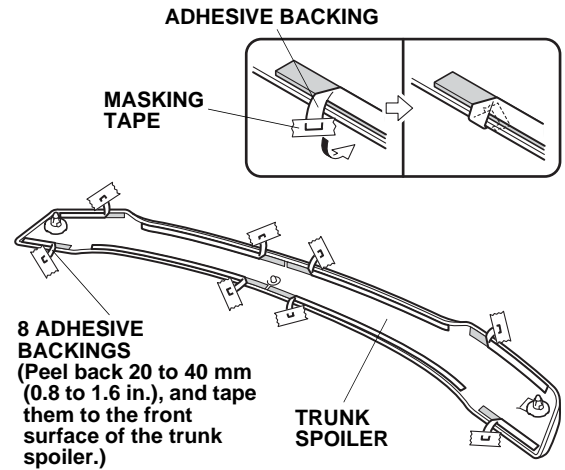
16. Remove the adhesive backing. Attach seal B around the hole in the center of the trunk lid.



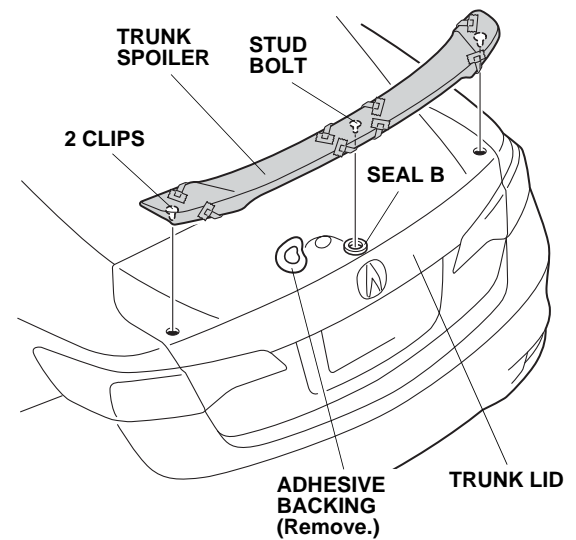
17. Install the two clips to the trunk spoiler.



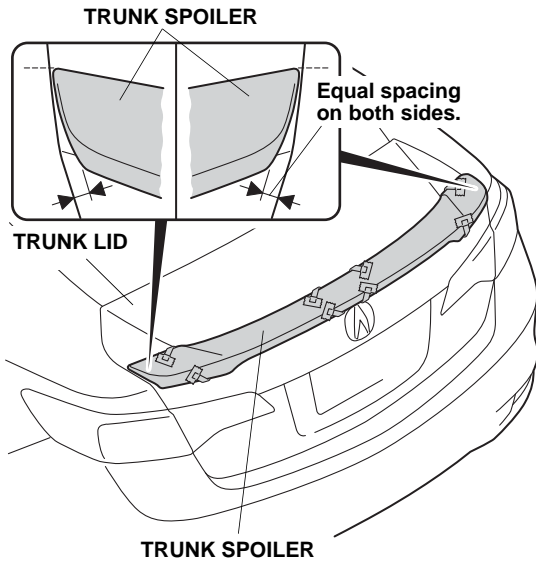
18. Peel back about 20 to 40 mm (0.8 to 1.6 in.) of adhesive backing from each adhesive strip, and tape the ends to the front surface of the trunk spoiler.



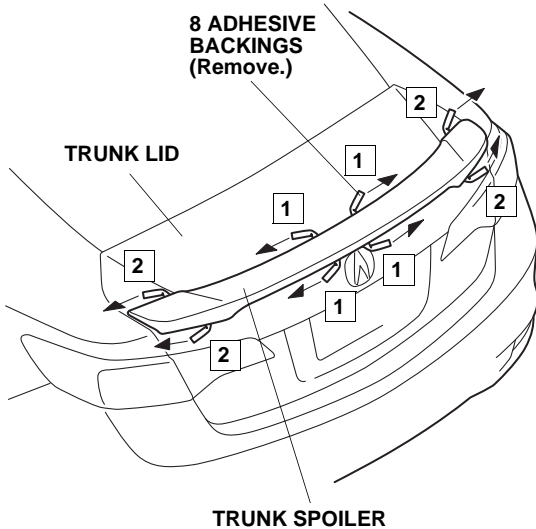
19. Remove the adhesive backing from seal B. Align the two clips and the stud bolt with the holes in the trunk lid, and install the spoiler. Apply pressure to the trunk spoiler over each clip until you hear a click. Do not apply excessive pressure.



20. Adjust the position of the trunk spoiler so there is equal spacing on both sides.

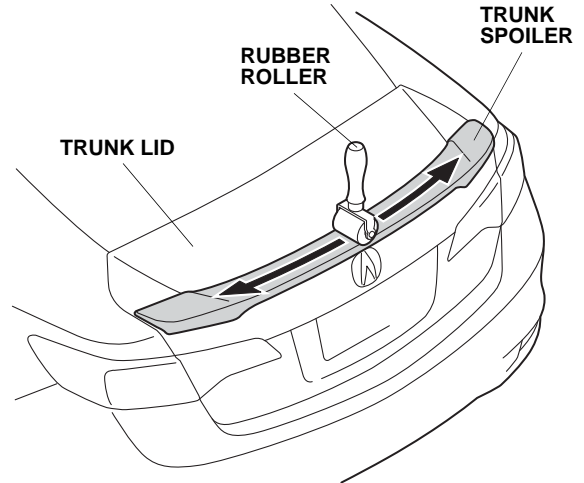


21. While applying light pressure against the trunk spoiler, carefully remove the adhesive backings as shown.

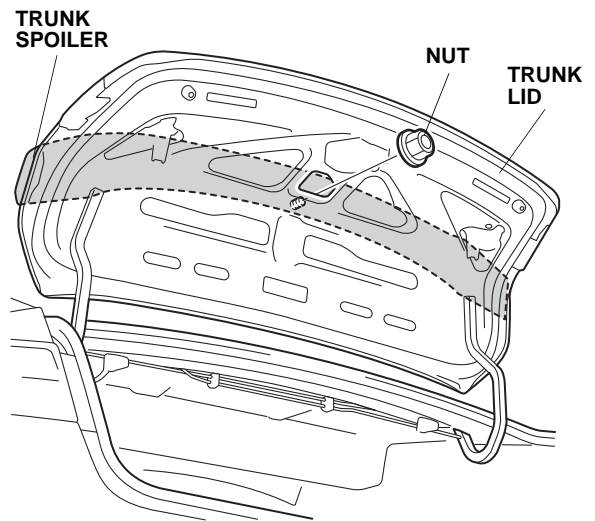


22. Using your hand, firmly press the trunk spoiler against the trunk lid.

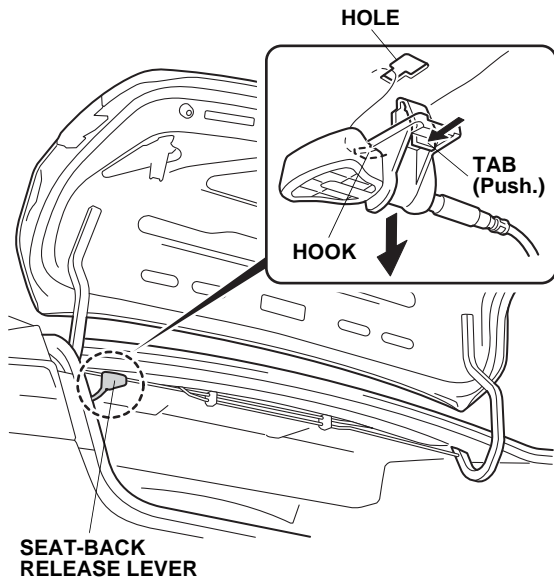
23. Using a rubber roller, apply firm pressure, especially at the ends, to set the adhesive.



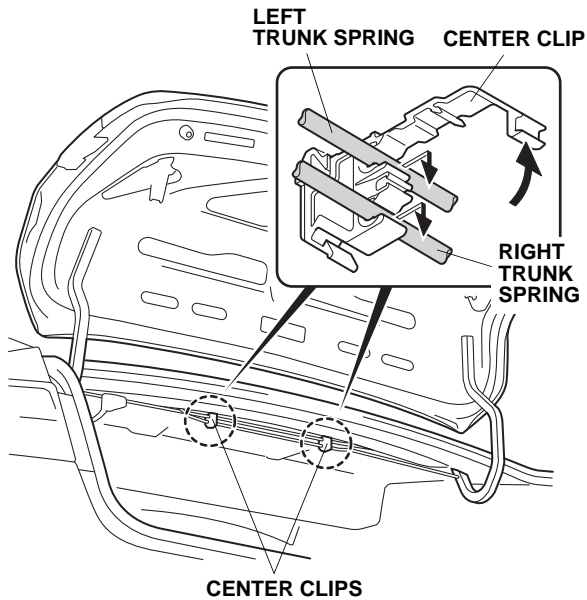
24. Open the trunk. Install the nut on the stud bolt. Torque the nut to 10.0 N·m (7.4 lbf·ft).



25. Push the tab, then pull down the seat-back release lever to release the hook. Move the seat-back release lever out of your way.

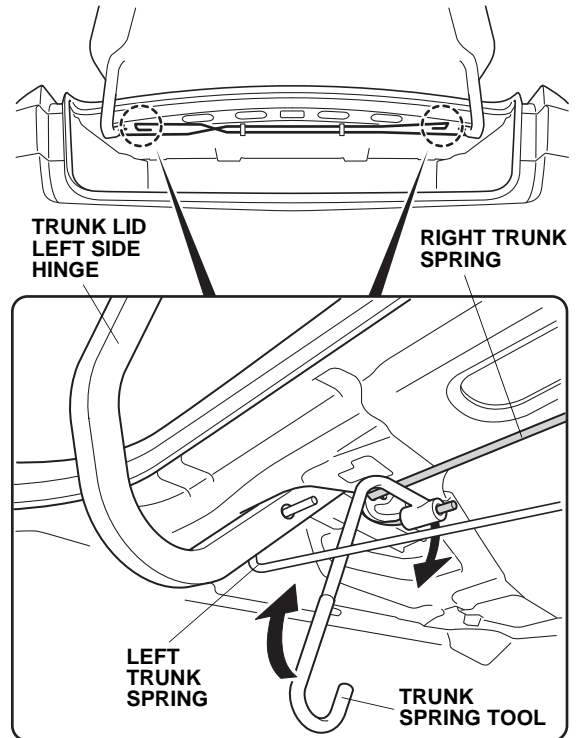


26. Remove the two center clips from the left and right trunk springs.

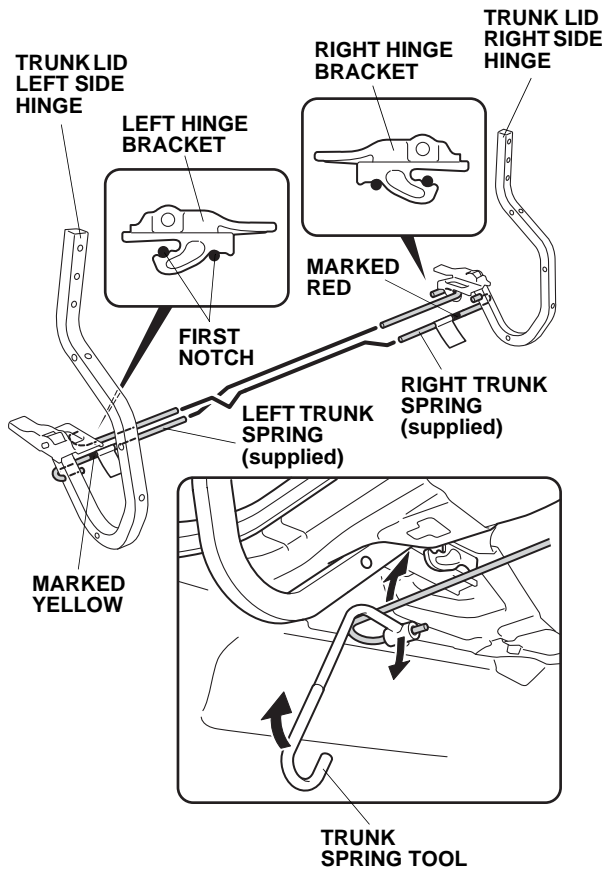


27. Put on heavy gloves to protect your hands. Use the trunk spring tool to remove the trunk springs from both trunk lid hinges. Pull the trunk spring tool slowly and carefully toward you. First remove the right trunk spring, then remove the left trunk spring.

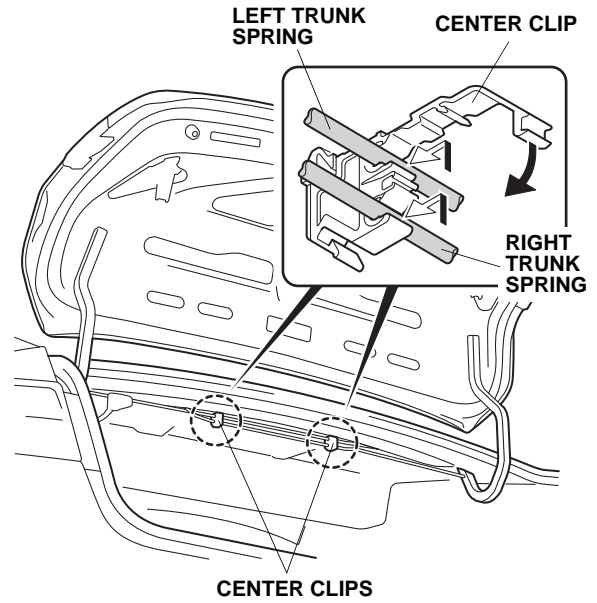
NOTICE: The trunk lid may fall by its own weight when the trunk springs are removed, and can cause injury. When removing and installing the trunk springs, have an assistant hold the trunk lid open, or secure it in the open position.



28. Install the new right and left trunk springs in the reverse order of removal:
- Install the yellow marked trunk spring in the slot in the left side (driver's side) trunk lid hinge and to the right (passenger's side) hinge bracket; install the red marked trunk spring in the slot in the right side (passenger's side) trunk lid hinge and to the left (driver's side) hinge bracket.
 - Rotate the trunk spring tool as you pull it towards you.
 - Set the trunk springs in the first notch (original position) of the hinge brackets.



29. Reinstall the center clips onto the trunk springs.



30. Reinstall all removed parts.